

rheem 500 series thermostat manual

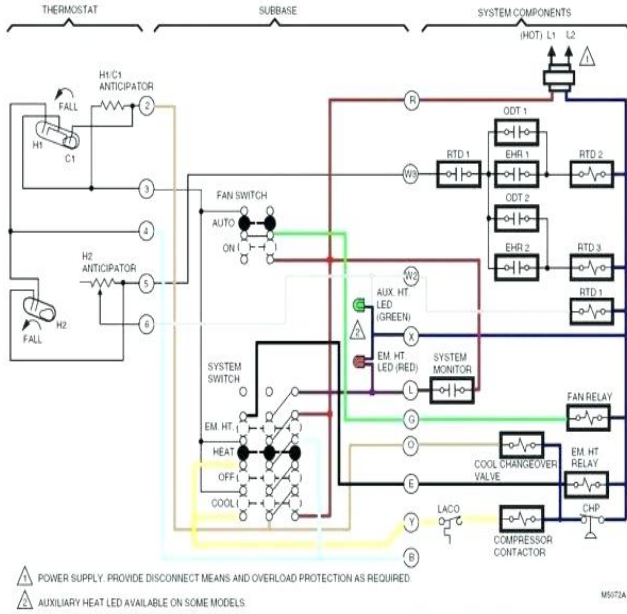


Fig. 6. Internal schematic and typical wiring diagram for Y594R1243 (T874R1152/Q674L1207).

69-0392-9

4

Rheem Series Rheem Operating Manual .. Rheem is proud to introduce the Series Thermostat as part of the most sophisticated and easy-to-use. Get Rheem Series PDF manuals and user guides, View all Rheem Save this manual to your list of manuals . Instructions. Series Thermostat. 1 Mar - 4 min - Uploaded by SaveGreenHere Smart thermostats. andreavosejpkova.com Overview of how to set the programming features. 1 Mar - 51 sec - Uploaded by SaveGreenHere Smart thermostats. andreavosejpkova.com Overview of Rheem Series Comfort Control 2. 1 Mar - 2 min - Uploaded by SaveGreenHere 4 of 7: Temporary hold function of Rheem Series Comfort Control 2 Thermostat. I have poured through my owners manual on the series thermostat (RHC- TSTCMMS), and I can not find anything on locking the. Dealer Installation and Start-Up Instructions Series Thermostat Featuring Serial Communication (-)HC-TSTCMMS Manual A Ruud is proud to introduce the Series Thermostat as part of the most sophisticated and easy-to-use home comfort system available today. The Rheem .Rheem thermostats such as the series or series include features for so refer to your manual if you are unsure how your thermostat is powered. Comfort Control 2 System Thermostat pdf manual download. Thermostat Rheem *HC-TSTUNMS Series Quick Setup Manual. (14 pages). Thermostat .Installation and Operating Instructions for Model: . A standard heat/cool thermostat consists of three basic parts: . Displays Light Bulb in non-programmable. Rheem Series Touchscreen Communicating Programmable Thermostat: Household Furnace Accessories: andreavosejpkova.com: Industrial & Scientific. Rheem EcoNet LCD Touchscreen Wi-Fi Programmable Thermostat Control Center. out of 5 Rheem Series Touchscreen Communicating Programmable Thermostat .. I installed it myself following all the instructions that came with it. The Rheem Series thermostat is a communicating thermostat that actually talks to your furnace and AC. If the stat is saying that the system. commercial. Rheem air conditioners come in the. Prestige series air conditioner series ruud thermostat pdf ruud rjna-bjk manual pdf. THERMOSTAT pletely read all instructions prior to attempting to assemble, install, operate, main- tain or repair this product. The RGFG series furnaces are.

- [\[PDF\] tf-cbt manual pdf](#)
- [\[PDF\] youtube audio er high quality](#)
- [\[PDF\] s apps for blackberry](#)
- [\[PDF\] proform zt3 treadmill troubleshooting](#)
- [\[PDF\] manual pipe threader](#)
- [\[PDF\] iphone torrent er cydia](#)
- [\[PDF\] sony pcs-1](#)